



STANDARD FEATURES

- Premium 18 gauge G90 galvanized steel (powder coat white recommended)
- Smooth interior surface for easy cleaning. Nuts and bolts are mounted on the exterior.
- Expandable for future growth
- Quiet blower with TEFC direct drive motor operated by VFD
- Automatic back pulse cleaning
- UL listed color correct flourescent light fixtures

INDUSTRIES FOR BATCH CARTRIDGE RECOVERY BOOTH



Aerospace
& Defense



Manufacturing
& Industrial

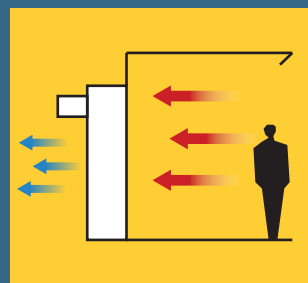


Automotive



Heavy Equipment
& Fleet Refinish

Rohner Batch Cartridge Recovery Booths are designed with optimal airflow for powder containment and application efficiency, and are the perfect solution for bringing the advantages of Batch Non-Reclaim Powder Booths to your powder coating process. Our standard powder coating booths control air uniformly through all the booth openings, recirculating the air back into the facility so no makeup air is required, and collecting excess powder through the two-stage filters of the collector modules. Rohner Batch Cartridge Recovery Booths provide a superior application environment for small job shop runs or large production runs, and are designed for manual gun usage.



BOOTH AIRFLOW &
CARTRIDGE COLLECTION



NEMA 12 DUST TIGHT
INDUSTRIAL CONTROL PANEL



OPTIONAL FILTERED
PRODUCT DOORS

PROVEN PERFORMANCE

Pre-wired control panel reduces installation cost. Panel mounted variable volume adjustment included for optimizing air flow and transfer efficiency.

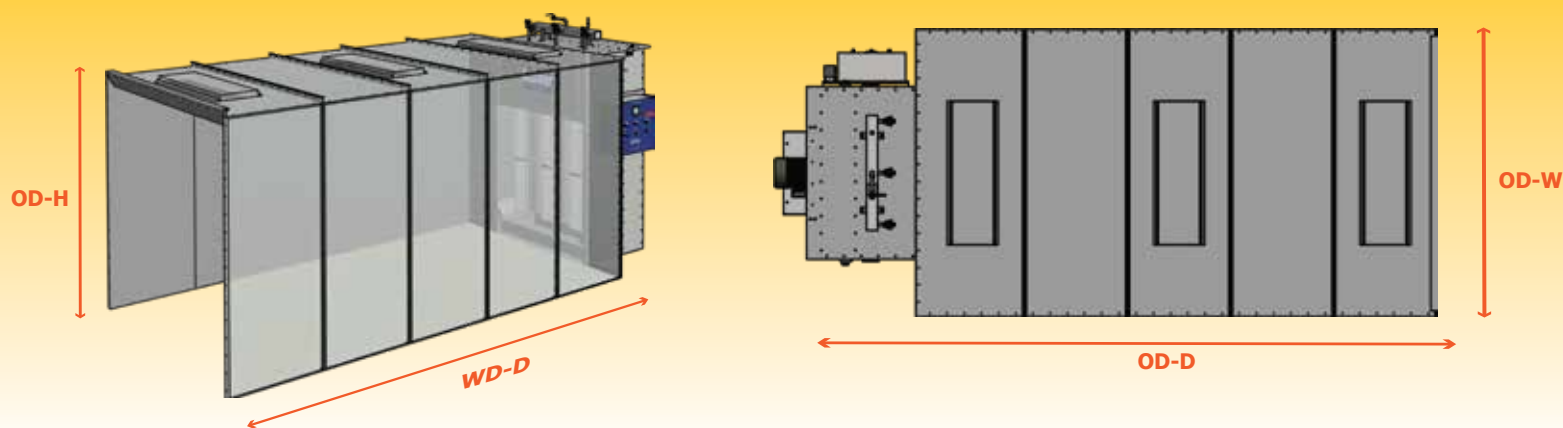
Automatic back pulse cleaning ensures consistent air flow and extends filter life. Automatic clogged filter shutdown ensures a safe environment.

Booths are designed to meet or exceed NFPA33 and IFC Chapter 24 requirements. Consult your local authority having jurisdiction for additional requirements before purchasing.

BATCH CARTRIDGE RECOVERY BOOTH SPECIFICATIONS

BOOTH DESIGN	STD.	OPT.	BOOTH DESIGN	STD.	OPT.
18 Gauge galvanized construction	✓		Filtered Product Doors		✓
Powder coated white finish		✓	HEPA final filters		✓
Class I Div. II sealed inside access light fixtures with color correct lamps	✓		UL 508 listed NEMA 12 panel: VFD variable volume, automatic back pulse timer board & lighting contactor	✓	
Collector Module with cartridge filters, final filters, and back pulse solenoids	✓		Fluidized recovery hopper, powder dispensing box chute and transfer pump port		✓
High static Collector Module		✓	3' x 7' Access Door with 18" x 24" tempered glass window		✓

BATCH CARTRIDGE RECOVERY BOOTH DIAGRAM



MODEL	Working Dim. (WD)			Overall Dim. (OD)			Light Fixtures	Collector Module/QTY	CFM (Min.-Max)
	W	H	D	W	H	D			
6'-0" Wide									
BPB-6-8-6	6'-0"	8'-0"	6'-0"	6'-4"	8'-2"	9'-0"	1	(1) CM6000	4,000-6,000
BPB-EXT-6-8-3	6'-0"	8'-0"	3'-0"	6'-4"	8'-2"	3'-0"	*	-	-
FPD-6-8	5'-0"	7'-6"	-	6'-0"	8'-0"	-	-	-	-
BPB-6-10-6	6'-0"	10'-0"	6'-0"	6'-4"	10'-2"	9'-0"	1	(1) CM6000	4,000-6,000
BPB-EXT-6-10-3	6'-0"	10'-0"	3'-0"	6'-4"	10'-2"	3'-0"	*	-	-
FPD-6-10	5'-0"	9'-6"	-	6'-0"	10'-0"	-	-	-	-
8'-0" Wide									
BPB-8-8-6	8'-0"	8'-0"	6'-0"	8'-4"	8'-2"	9'-0"	1	(1) CM600	4,000-6,000
BPB-EXT-8-8-3	8'-0"	8'-0"	3'-0"	8'-4"	8'-2"	3'-0"	*	-	-
FPD-8-8	7'-0"	7'-6"	-	8'-0"	8'-0"	-	-	-	-
BPB-8-10-6	8'-0"	10'-0"	6'-0"	8'-4"	10'-2"	9'-0"	1	(1) CM6000**	4,000-6,000
BPB-EXT-8-10-3	8'-0"	10'-0"	3'-0"	8'-4"	10'-2"	3'-0"	*	-	-
FPD-8-10	7'-0"	9'-6"	-	8'-0"	10'-0"	-	-	-	-
10'-0" Wide									
BPB-10-8-6	10'-0"	8'-0"	6'-0"	10'-4"	8'-2"	9'-0"	2	(1) CM600**	4,000-6,000
BPB-EXT-10-8-3	10'-0"	8'-0"	3'-0"	10'-4"	8'-2"	3'-0"	*	-	-
FPD-10-8	9'-0"	7'-6"	-	10'-0"	8'-0"	-	-	-	-
BPB-10-10-6	10'-0"	10'-0"	6'-0"	10'-4"	10'-2"	9'-0"	2	(1) CM10000	7,000-10,000
BPB-EXT-10-10-3	10'-0"	10'-0"	3'-0"	10'-4"	10'-2"	3'-0"	*	-	-
FPD-10-10	9'-0"	9'-6"	-	10'-0"	10'-0"	-	-	-	-
12'-0" Wide									
BPB-12-8-6	12'-0"	8'-0"	6'-0"	12'-4"	8'-2"	9'-0"	2	(1) CM10000	7,000-10,000
BPB-EXT-12-8-3	12'-0"	8'-0"	3'-0"	12'-4"	8'-2"	3'-0"	*	-	-
FPD-12-8	11'-0"	7'-6"	-	12'-0"	8'-0"	-	-	-	-
BPB-12-10-6	12'-0"	10'-0"	6'-0"	12'-4"	10'-2"	9'-0"	2	(1) CM6000	8,000-12,000
BPB-EXT-12-10-3	12'-0"	10'-0"	3'-0"	12'-4"	10'-2"	3'-0"	*	-	-
FPD-12-10	11'-0"	9'-6"	-	12'-0"	10'-0"	-	-	-	-

NOTE: Booth depth can be extended in 3' increments using BPB-EXT. Booth overall depth does not includemotor. Refer to Collector Module Brochure for details. *Extensions are available with or w/out light fixtures. **BPB-8-10-6 & BPB-10-8-6 come with (2) 8" closure panels on face of booth to increase air velocity through opening.
 BPB = Batch Powder Booth EXT = Extension (3' D, with or w/out light fixtures) FPD = Filtered Product Door

Specifications and designs are subject to change, and substitutions without notice are at the manufacturer's sole discretion. Customer is responsible for determining the suitability of the equipment for its intended use. Additional equipment or modifications may be required to meet local building and process-specific regulatory codes and are the responsibility of the Customer.



www.rohner-usa.com
888-885-7641